

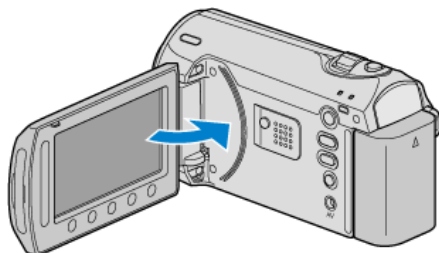
## Inserting an SD Card (GZ-MS230)

When a commercially available SD card is inserted, recordings can still be made to the card without stopping when the remaining recording time on the built-in memory runs out.

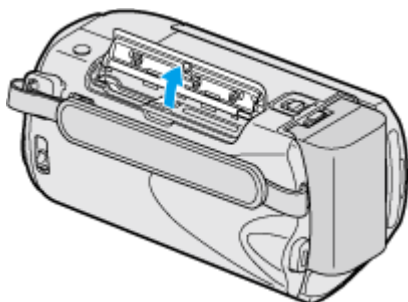
"Types of Usable SD Card" ( P. 0 )

"Approximate Video Recording Time" ( P. 0 )

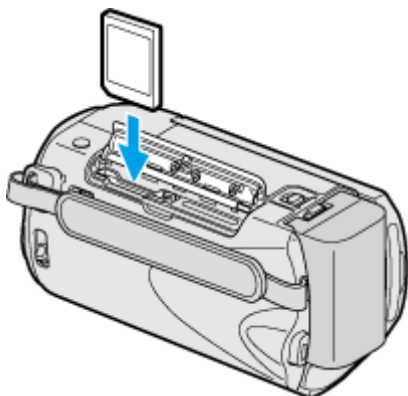
1 Close the LCD monitor.



2 Open the slot cover.



3 Insert an SD card.



- Insert with the label facing outward.

### Warning

- Make sure not to insert the card in the wrong direction. It may cause damage to the unit and card.
- Turn off the power of this unit before inserting or removing a card.
- Do not touch the metal contact area when inserting the card.

### NOTE:

- To record to the card, it is necessary to perform media settings. When no card is available, set media settings to "BUILT-IN MEMORY" for recording.

"REC MEDIA FOR VIDEO (GZ-MS230)" ( P. 0 )

"REC MEDIA FOR IMAGE (GZ-MS230)" ( P. 0 )

- To use cards that have been used on other devices, it is necessary to format (initialize) the card using "FORMAT SD CARD" from media settings.

"FORMAT SD CARD" ( P. 0 )

### Removing the Card

Push the SD card inward once, then pull it out straight.

