

## Inserting an SD Card (GZ-MS215)

Insert a commercially available SD card before recording.

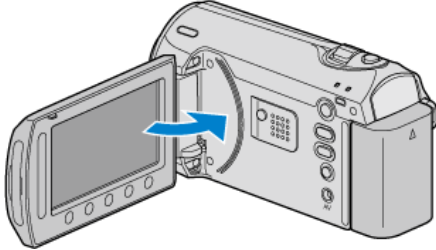
This unit comes with two SD card slots.

When two SD cards are inserted, recordings can be continued on the other card even if one card is full.

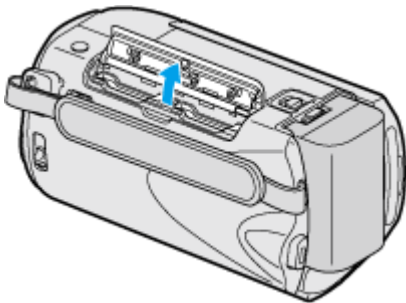
"Types of Usable SD Card" ( P. 0 )

"Approximate Video Recording Time" ( P. 0 )

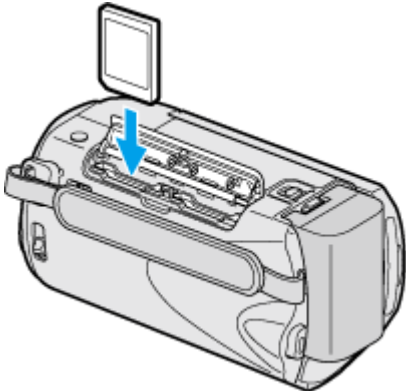
1 Close the LCD monitor.



2 Open the slot cover.



3 Insert an SD card into slot A.



- Insert with the label facing outward.

### Warning

- Make sure not to insert the card in the wrong direction. It may cause damage to the unit and card.
- Turn off the power of this unit before inserting or removing a card.
- Make sure that a card is inserted in at least one slot. Recordings cannot be performed without any SD card inserted. "Media Settings Menu" ( P. 0 )
- Do not touch the metal contact area when inserting the SD card.

### NOTE:

- To use cards that have been used on other devices, it is necessary to format (initialize) the card using "FORMAT SD CARD" from media settings.

"FORMAT SD CARD" ( P. 0 )

### Removing the Card

Push the SD card inward once, then pull it out straight.

