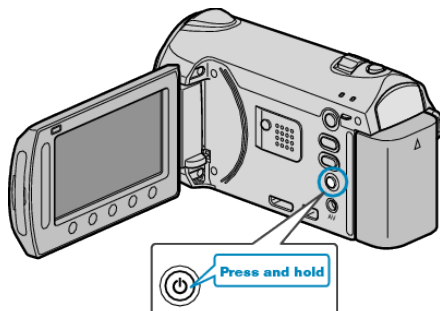


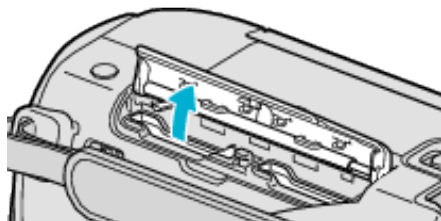
Inserting an SD Card (GZ-HM300)

Insert a commercially available SD card before recording. This unit comes with two SD card slots. When two SD cards are inserted, recordings can be continued on the other card even if one card is full.

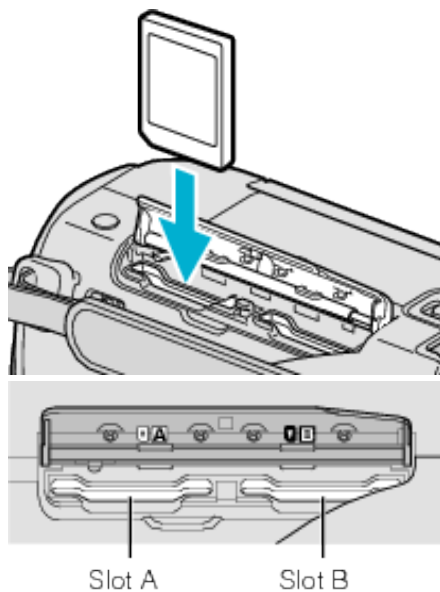
1 Press the power button for more than 2 seconds to turn off this unit.



2 Open the card slot cover.



3 Insert an SD card into slot A.



CAUTION:

- Make sure not to insert the card in the wrong direction. It may cause damage to the unit and card.
- Turn off the power of this unit before inserting or removing a card.

Memo:

- Recording switches automatically from one card to another and vice versa after the selected card is full.
- To record to the card, it is necessary to adjust media settings.
- To use cards that have been used on other devices, it is necessary to format (initialize) the card using "FORMAT SD CARD" from media settings.

Removing the Card

Push the card inward once, then pull it out straight.

