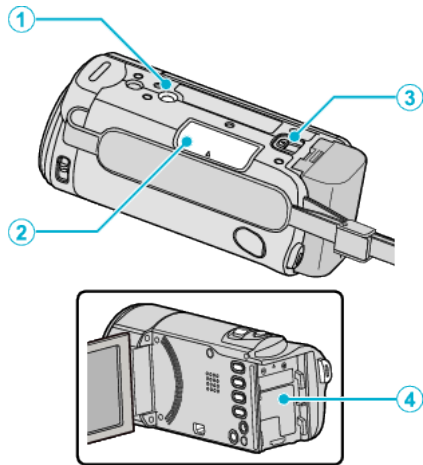


**Bottom**

- 1** Tripod Mounting Hole
- 2** SD Card Slot
  - Insert an optional SD card.
- 3** Battery Release Lever
- 4** Battery Mount