


Preparing a USB External Hard Disk Drive

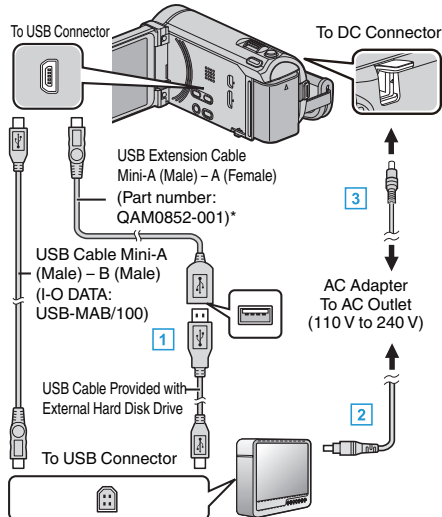
Memo :

- When connecting to the external hard disk drive, use a USB cable with Mini-A (Male) – B (Male) connectors.
The USB cable provided with this unit cannot be used.
- To use the USB cable provided with the external hard disk drive, purchase the following USB extension cable.

Mini-A (Male) – A (Female)
(Part number: QAM0852-001)

1 Connect the USB cable and the AC adapter.

- Turn off the camcorder by pressing the  button for about 2 seconds.



* The AC adapter shown in the illustration is AC-V11U.

1 Connect the USB cable with the USB external hard disk drive.

2 Connect the AC adapter of the USB external hard disk drive.

3 Connect the AC adapter to this unit.

- This unit powers on automatically when the AC adapter is connected.
- This unit turns on and the "BACK-UP" menu appears.
- While the USB cable is connected, the "BACK-UP" menu is displayed.
- Refer also to the instruction manual of the external hard disk drive.

2 Turn on the external hard disk drive.

Caution :

- Be sure to turn off the power when connecting the devices.
Otherwise, electric shocks or malfunctions may occur.
- Do not connect a USB hub between this unit and the USB external hard disk drive.