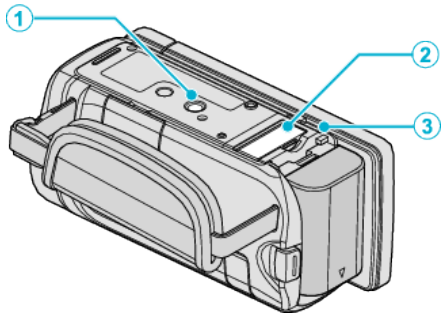


Bottom

- 1** Tripod Mounting Hole
- 2** SD Card Slot
 - Insert an optional SD card.
- 3** Battery Release Lever