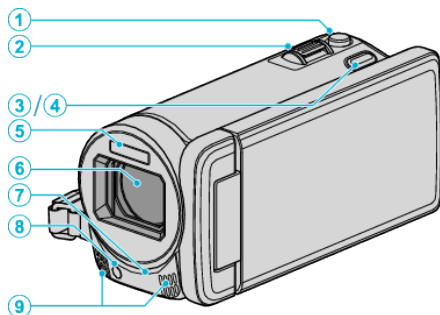


Front



- 1** SNAPSHOT (Still Image Recording) Button
 - Takes a still image.
- 2** Zoom/Volume Lever
 - During shooting: Adjusts the shooting range.
 - During playback (index screen): Moves to the next or previous page.
 - During video playback: Adjusts the volume.
- 3** 3D Button (for GZ-HM960)
 - Switches the playback image and display on the LCD monitor between 3D and 2D.
- 4** AF Button (for GZ-HM860)
 - Automatically adjusts focus and brightness based on the subjects' faces or selected area.
- 5** Flash
- 6** Lens/Electric Lens Cover
 - Do not touch the lens and lens cover.
 - Do not cover the lens with your fingers during recording.
- 7** Remote Sensor
- 8** Light
 - Turn on the light when shooting in dark places.
- 9** Stereo Microphone
 - Do not cover the microphone with your fingers during video recording.